

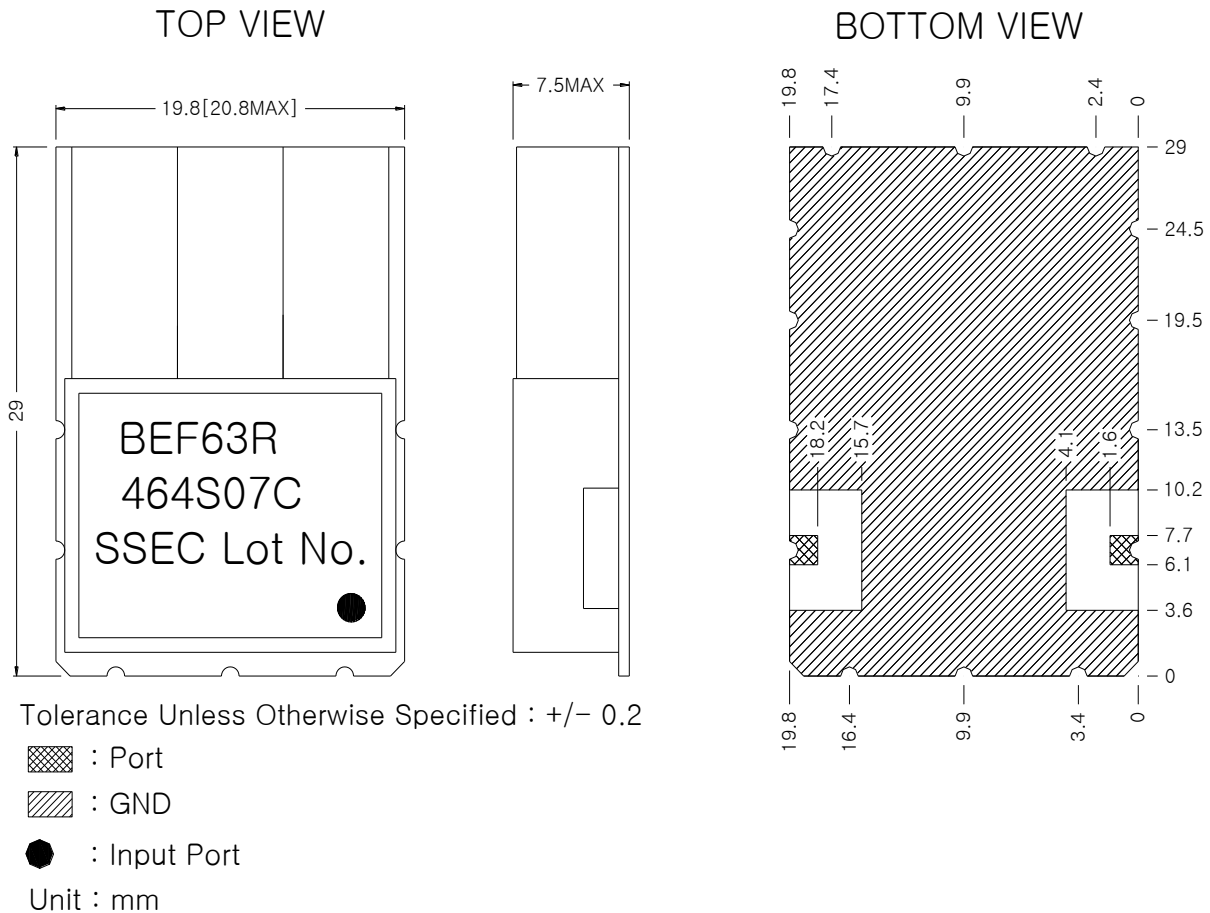
Part No.	BEF63R464S07C
Date	2018-11-05

Written	Checked	Approved
		C.H.Lee

1. Electrical Specifications.

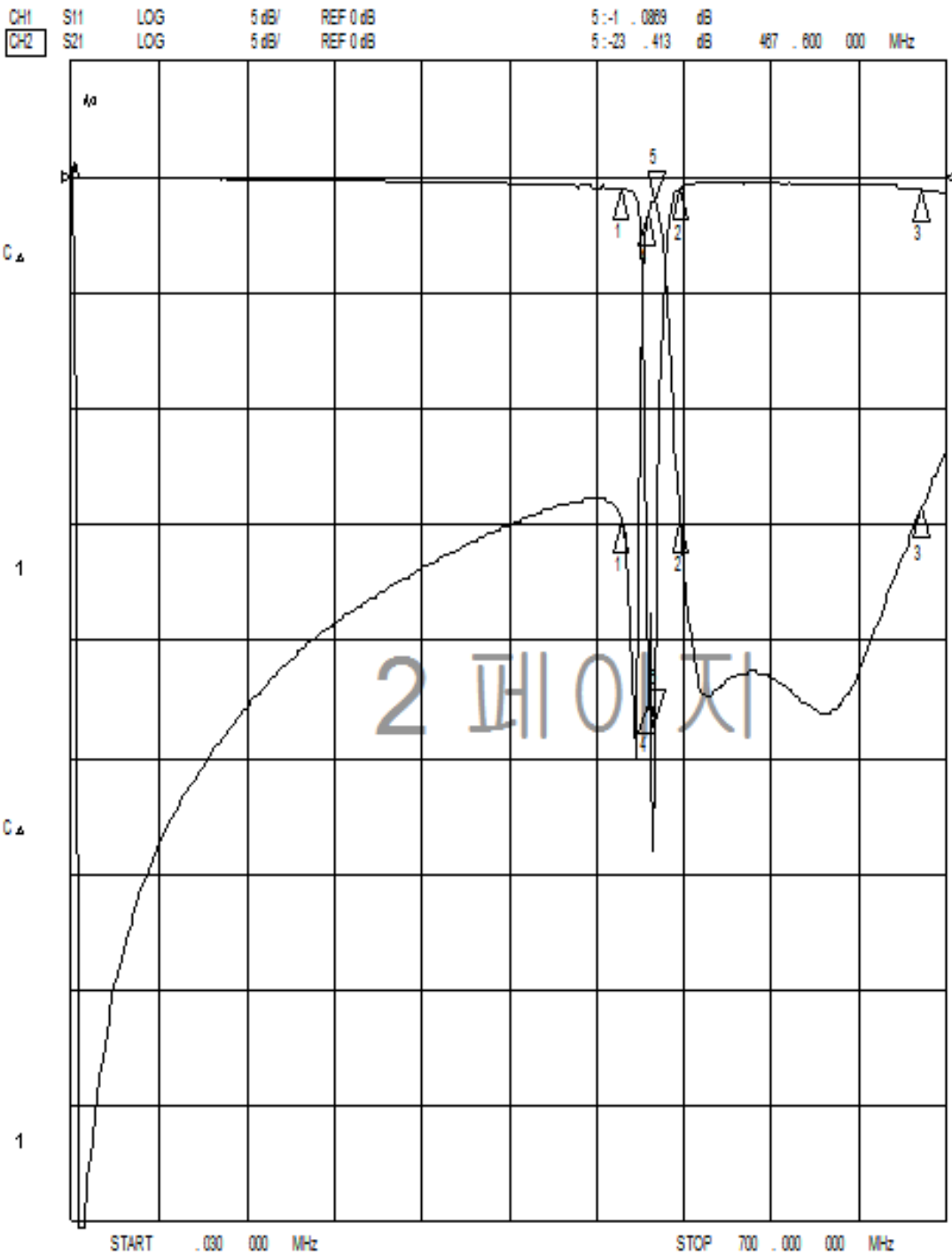
ITEM		Specifications
Insertion Loss	DC ~ 440 MHz	1.0 dB max.
	487 ~ 680 MHz	1.0 dB max.
Return Loss	DC ~ 440 MHz	12 dB min.
	487 ~ 680 MHz	12 dB min.
In/Out Impedance		50 Ω
Peak Power		1 W max.
Attenuation		15 dB min. @ 460.4 ~ 467.6 MHz
Operation Temperature		-40°C ~ +85°C

2. Dimensions.



3. Data.

29 May 2005 21:28:56



2 페이지